

BURBANK FIRE DEPARTMENT

Lil' Squirt



Activity Book

Important Contacts

Everyone should know how to call the fire department to report a fire!
When you report a fire, the emergency operator who answers will usually want to know the following:

- What is the emergency is?
- What is your name?
- What is the address of the fire?
- What is the address that you are calling from?
- What is the phone number you are calling from?



NEVER call in a false alarm. Not only is it illegal, people in a real fire could be hurt while firefighters answer the false alarm.

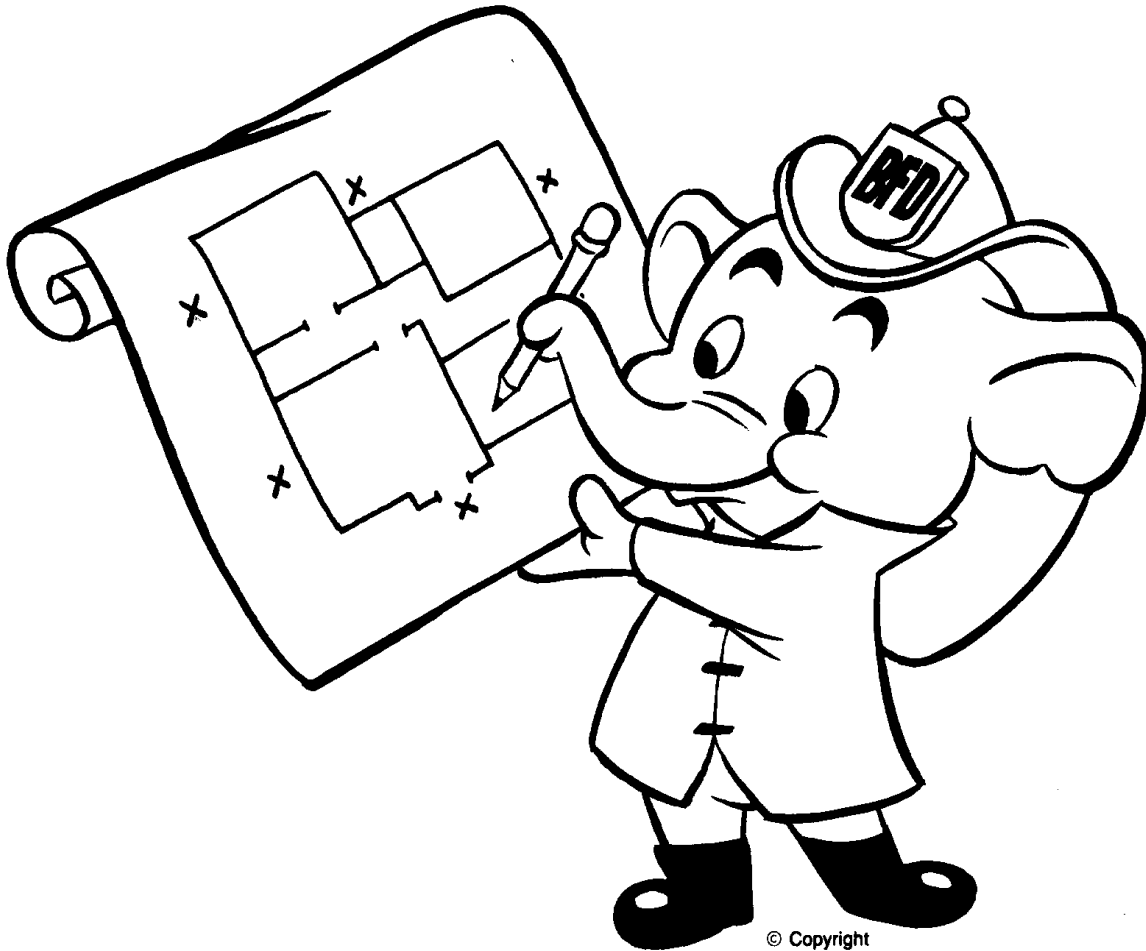
Keep Smoke Alarms Working Right

Smoke alarms make a loud noise so people know to get out fast in case of a fire. Install a smoke alarm on every floor of your home, and in or near every bedroom. Be sure to test your smoke alarms every month!



© Copyright
Burbank Fire Dept. 1983.

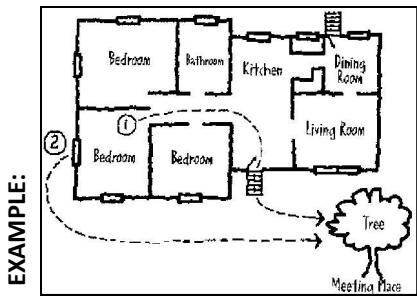
Every home should have a
family fire escape plan.
Always have two escape
routes for each room!



© Copyright
Burbank Fire Dept, 1983.

Create Your Escape Plan!

Draw a floor plan of your house. Be sure to show where the doors and windows are. Draw arrows to mark at least two ways out of every room in case of a fire. Talk about these escape plans with your family. Don't forget to designate a safe meeting place outside your home!



A large empty rectangular box provided for the student to draw their own floor plan, including doors, windows, escape routes, and a meeting place.

Only adults should light fires.

NEVER play with fire. Stay away from matches, lighters, and lit candles.



© Copyright
Burbank Fire Dept, 1983.



WORD SEARCH

Y T E F A S U E E
C E Y T L M C P P
N B R T A O R R A
E R E C R K B A C
G E T I M E R C S
R S T N A L P T E
E C A L P E R I F
M U B L W A R C C
E E I O U T L E T

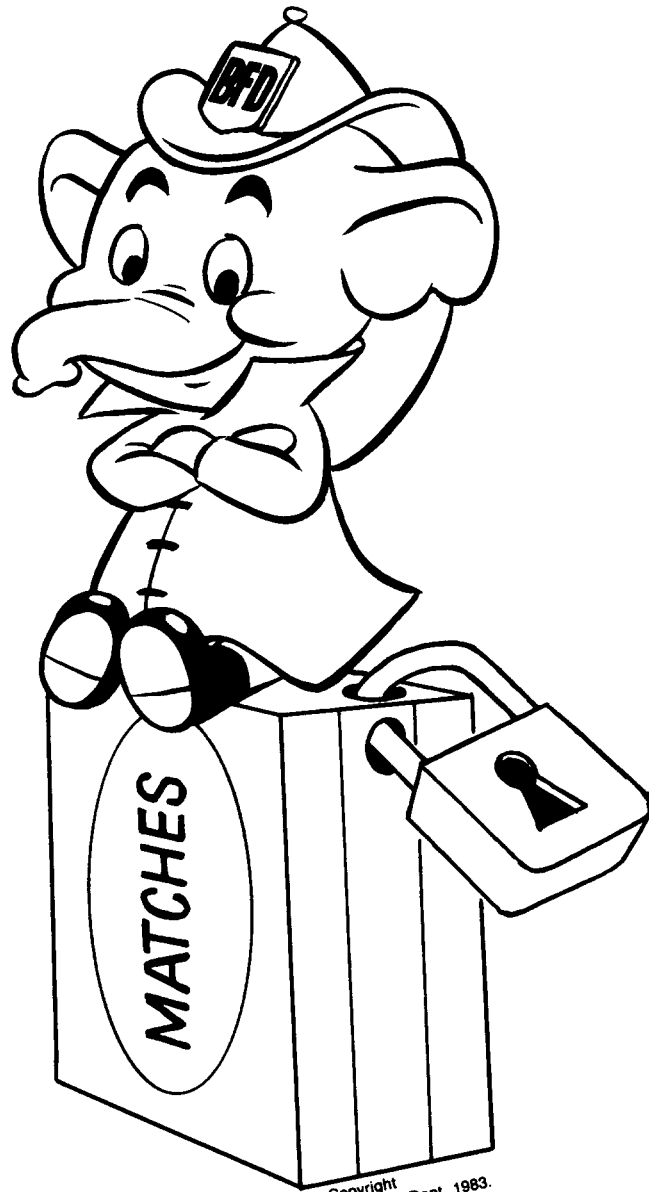
WORD SEARCH.

Find and circle the words from the list in the puzzle above.
Words may be horizontal, vertical, forwards, or backwards.

ALARM
BATTERY
CRAWL
ESCAPE
FIREPLACE
PRACTICE

OUTLET
EMERGENCY
PLAN
RESCUE
SAFETY
SMOKE

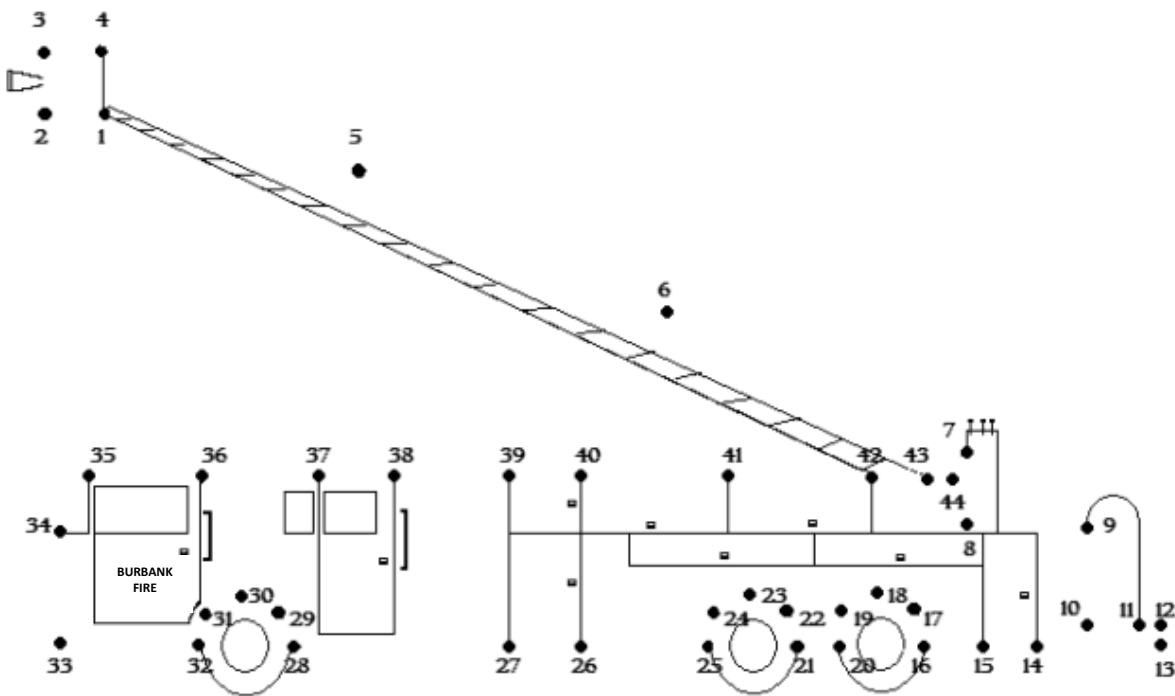
Playing with matches
is dangerous.



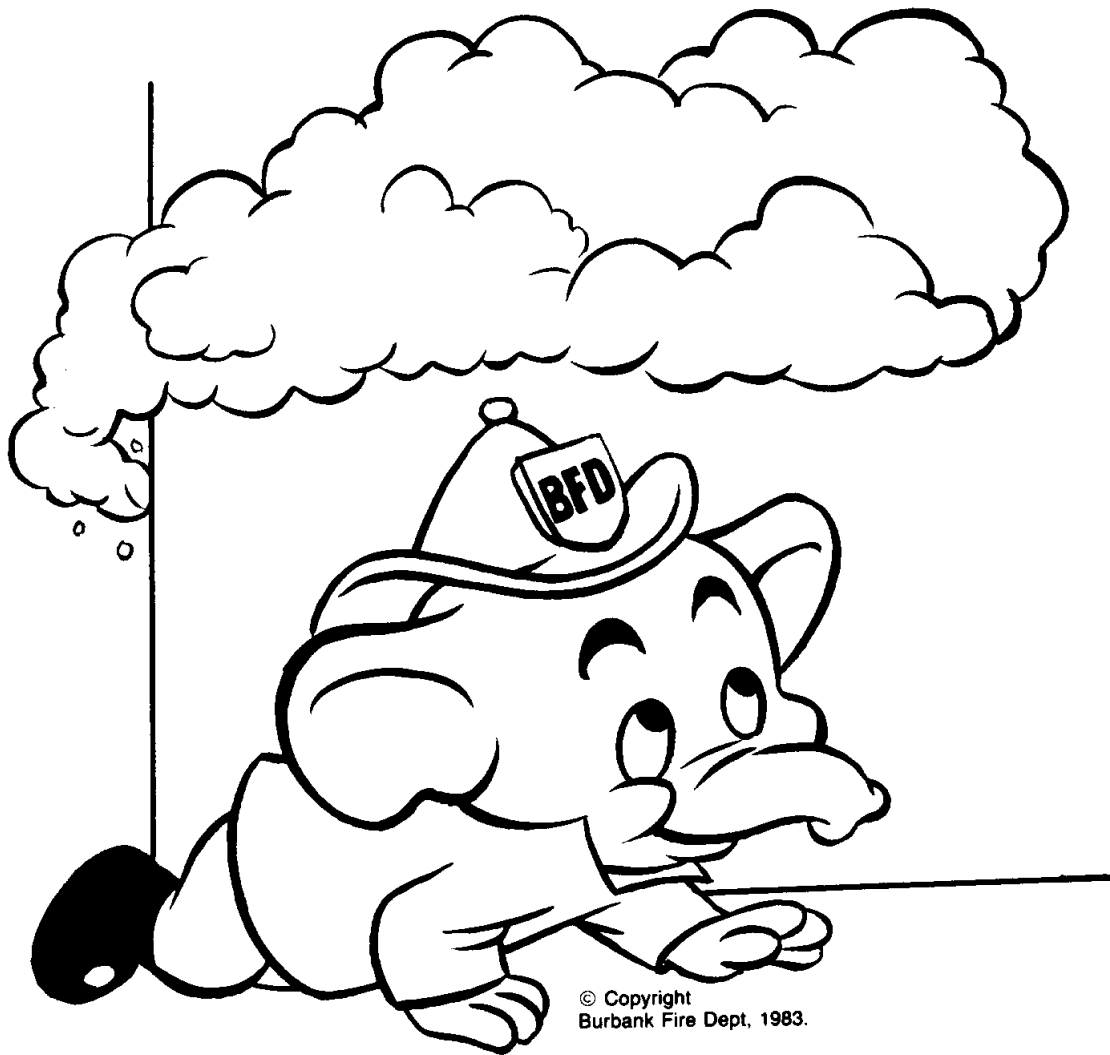
© Copyright
Burbank Fire Dept, 1983.

CONNECT THE DOTS

Connect the dots, starting from number 1 and ending at number 44, to see what appears! When you are done, you can color me in!

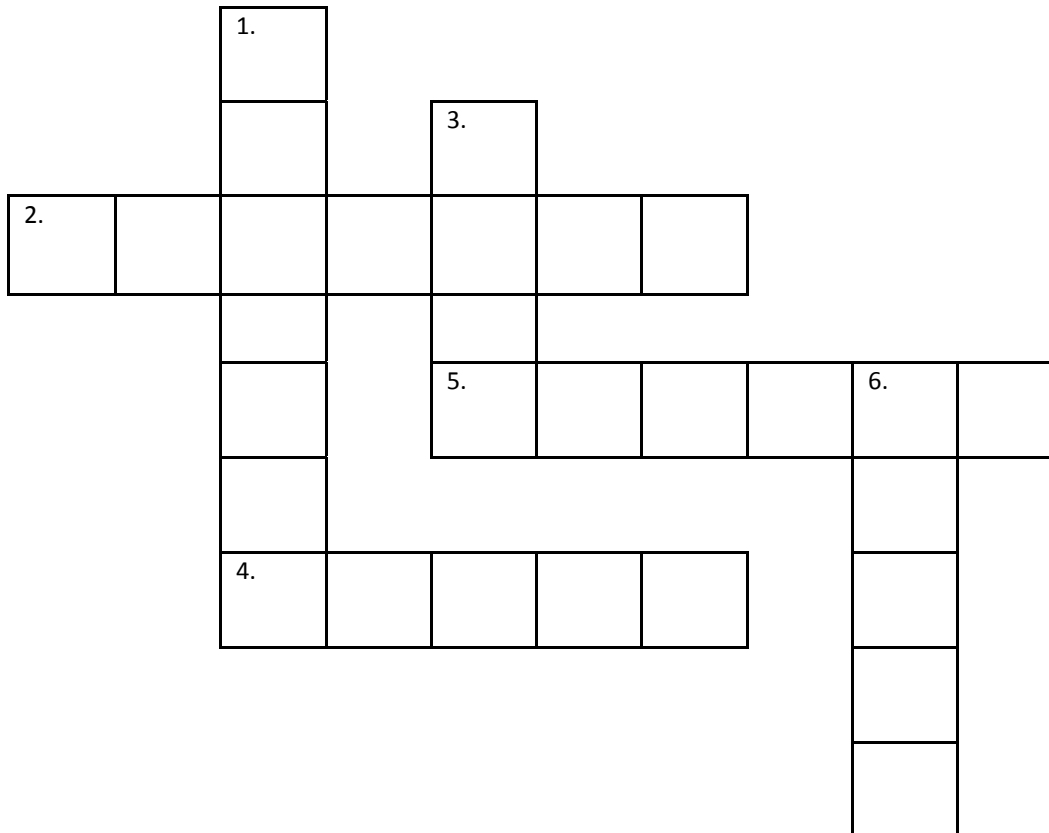


When a fire breaks out, crawl
low under the smoke.
The air is easier to breathe
near the floor.



© Copyright
Burbank Fire Dept. 1983.

CROSSWORD PUZZLE



ACROSS:

2. If there is a fire, don't hide, go _____.
4. A burning home fills with this and makes it hard to see or breathe.
5. You should have two _____ routes in each room of your home.

DOWN:

1. Kids must never play with these.
3. This is hot, dark, loud, and scary.
6. You and your family need to practice your fire escape _____.

Firefighters are your friends!

If you are trapped, help firefighters find you by yelling out and motioning for help. With all the gear and breathing mask, the firefighters may look scary, but they are there to protect you!



© Copyright
Burbank Fire Dept, 1983.