



GAS METER SAFETY

Your safety is important to us. Keep this guide handy for easy reference.

It's important to keep in mind that natural gas is flammable and that a simple spark can serve as an ignition source. Using your sense of sight, hearing and smell, may alert you to the present of a gas leak.



LOOK

- A damaged connection to a gas appliance.
- Dirt or water being blown in the air.
- Dead or dying vegetation (in an otherwise moist area) over or near pipeline areas.
- A fire or explosion near a pipeline.
- Exposed pipeline after an earthquake, fire, flood or other disaster.



LISTEN

- An unusual sound, such as a hissing, whistling or a roaring sound near a gas line or appliance.



SMELL

- The distinctive odor of natural gas.
- Note that some people may not be able to smell the odor because they have a diminished sense of smell or because the odor is being masked or hidden by other odors such as cooking, soil/pipe conditions, dampness, must, or chemical odors.

IN CASE OF AN EMERGENCY

Be prepared for emergencies and know how to shut off the gas to your meter. After an earthquake, turn off the gas to your meter **ONLY** if it is safe to do so and **ONLY** if you smell gas, hear the sound of gas escaping or see other signs of a leak. Always use caution when touching gas meters, gas piping, valves, attached components and other gas equipment.

HOW TO SHUT OFF YOUR GAS METER:

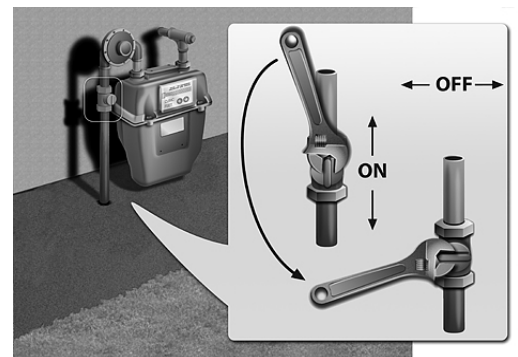
In the event of an emergency, it's important to know exactly where your meter is located.

As you face the meter, you will see a pipe running from the ground to the meter. There is a shut-off valve running parallel with the pipe usually located about 6 to 8 inches above the ground. **Use a 12" or larger adjustable wrench to turn the valve one-fourth of a turn in either direction until the valve is crosswise to the pipe (see the diagram on the right).**

Important: Always use caution when touching gas meters, gas piping, valves and attached components. Faulty household appliances or faulty household electrical wiring could inadvertently introduce electricity to the gas meter and related gas equipment that can cause an electric shock.

If you smell natural gas or suspect a gas leak...

- *REMAIN calm.*
- *DON'T light a match, candle, or cigarette.*
- *DON'T turn electrical appliances or lights on or off, or use any device that could cause a spark.*
- *Immediately evacuate the area, and from a safe location, call 911.*



Close-up of a typical gas valve.